

Bushing Data:

Rated Voltage	145	kV
Phase to-earth Voltage	95	kV
Dry Lightning Impulse	450	kV
Wet Switching Impulse	350	kV
Wet Power frequency AC	210	kV
Routine test 1min dry 50Hz	210	kV
Rated Current	3150	A
Creepage Distance	2870	mm
Mass	260	kg

Ordering Data:

BUSHING COLOUR AIR INSULATOR
 LF121057 -A / -AA BROWN / LIGHT GREY

OUTER TERMINAL

LF170 073-A Al	H2 (mm)	D2 (mm)
LF170 073-B Cu	125	60
LF170 073-G Cu/Ag	125	60
OTHER TYPES ON REQUEST	125	60

END-SHIELD

LF170 046-U EPOXY INSULATED
 LF170 046-UP INSULATED WITH 3 mm PRESSBOARD

DRAW ROD SYSTEM

LF170 059 LOWER DRAW ROD WITH NI=4 OR NI=6
 LF170 057 UPPER DRAW ROD

INNER TERMINAL

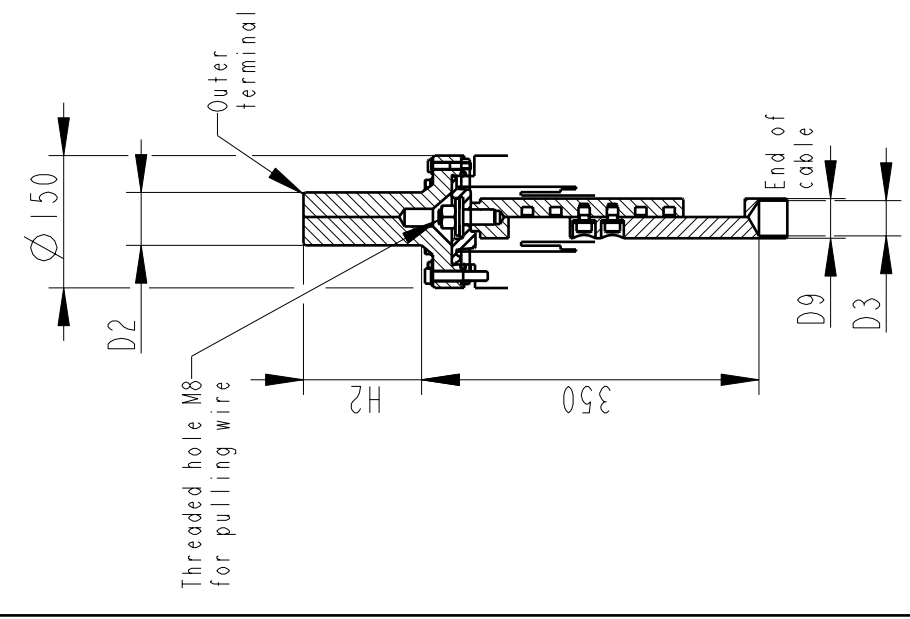
D3 (mm)	D9 (mm)	Cond. area (mm ²)	Current (A)	IEEC
LF170 056-E O*)	45	-	-	-
LF170 056-D	40	45	600	1600
				1360

*) WITH PILOT HOLE D=5

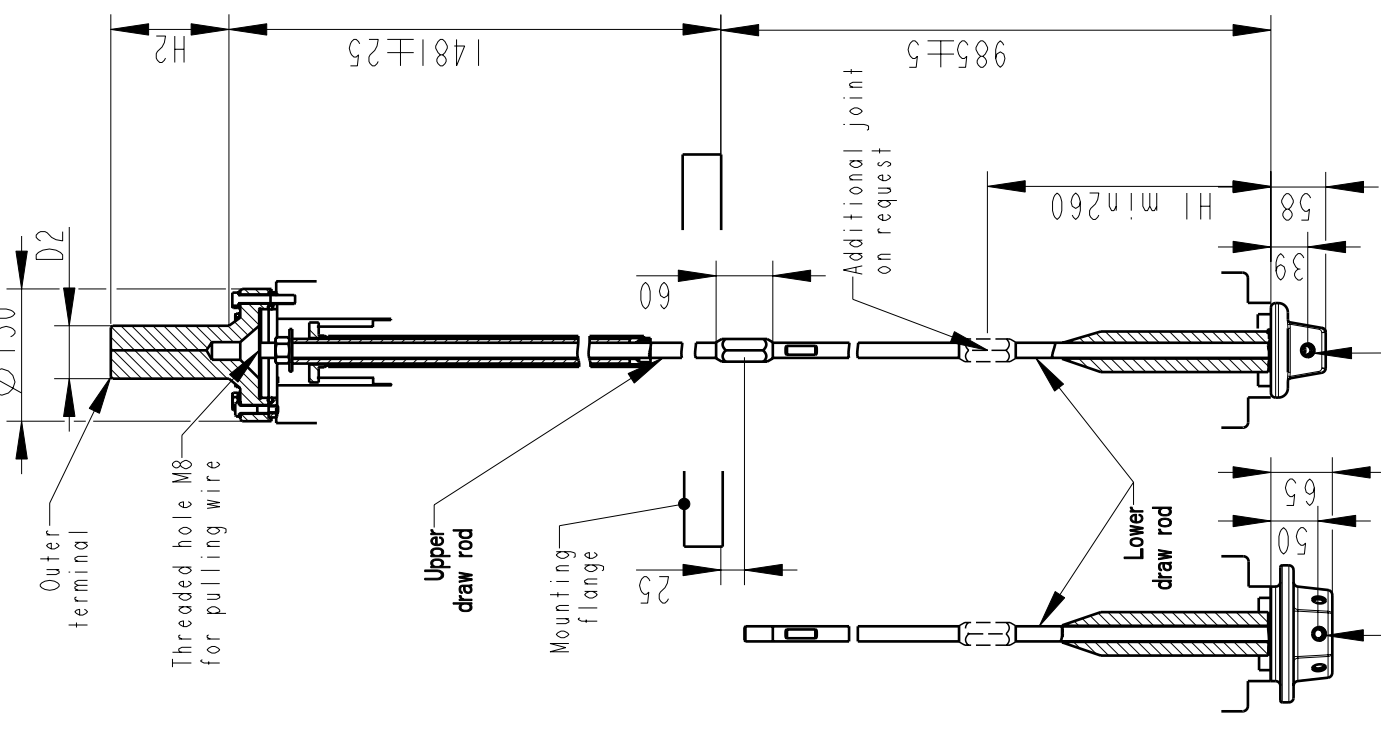
ABB Components Lutha, Sweden

No.	kV	A	50/60 Hz
U ₁	kV	SI	kV AC
M	kg	L	mm D
C1	pf	Tanδ	;
C2	pf	Tanδ	;

INNER TERMINAL / OUTER TERMINAL



DRAW ROD SYSTEM / OUTER TERMINAL



NI=Number of holes M12, equipped with thread insert with screw lock, depth 20, for cable lugs.

Based on	Reg. No.	Title
Prepared	Responsible department	GOE-450-350-3150-0-6
Lövnord	COM/BK 0022	
Approved	Take over department	
Johansson	Database	
Design engineering review		
Gutman		
ABB ABB Components		Document No. 2751369-82
Language		82
Page		1(1)